

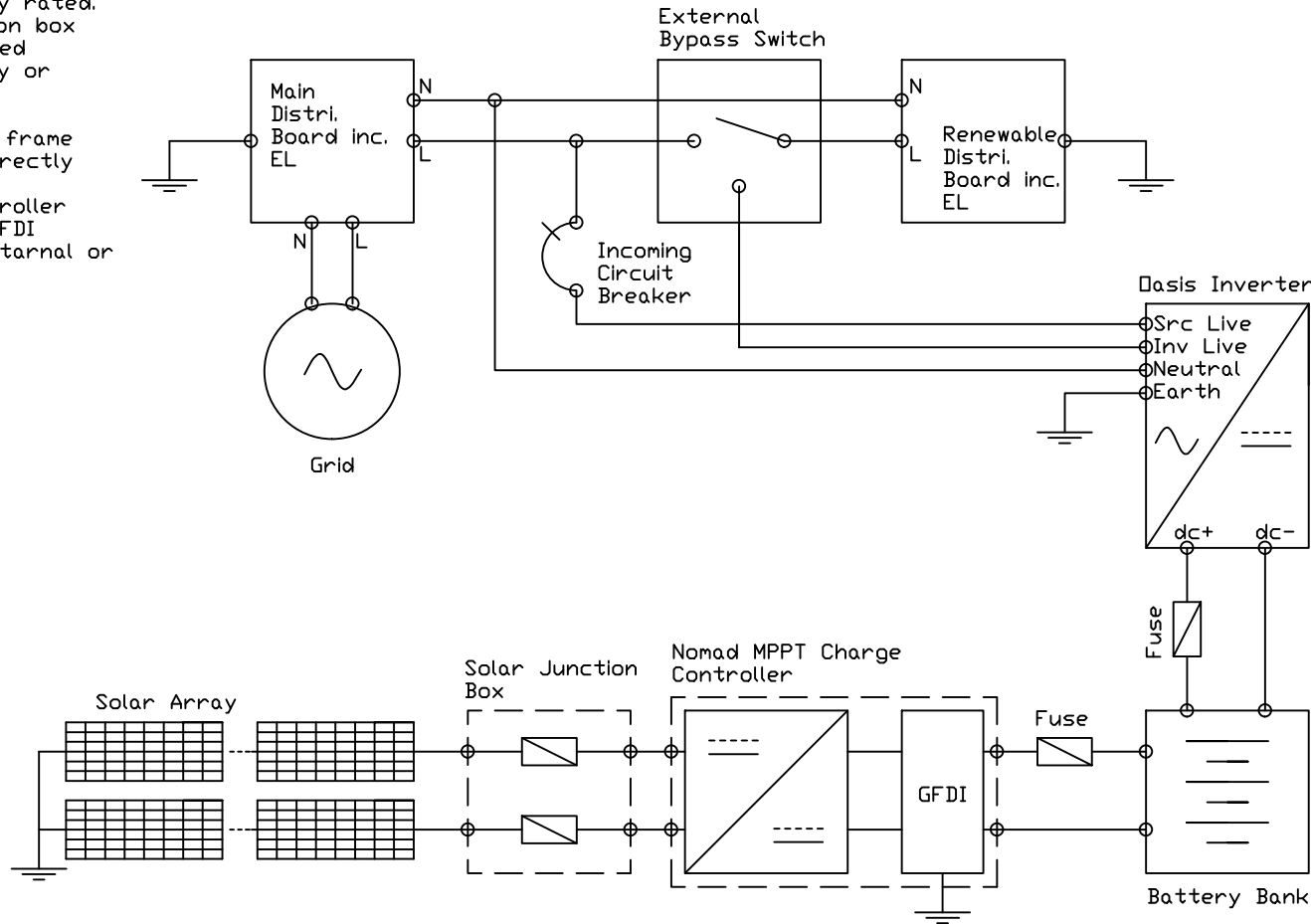
RevNo	Revision note	Date	Signature	Checked

Location  
CUSTOMER NAME  
CUSTOMER ADDRESS

Notes:

1. All wiring sized as per SANS10142-1
2. Incoming Circuit breaker must be appropriately rated.
3. Solar junction box must be fused appropriately or have a DC disconnect.
4. Solar Array frame must be correctly earthed.
5. Charge Controller must have GFDI installed (external or internal).

NOTE:  
Dasis Inverter includes an internal suitably interlocked physically separated change-over switch for off-grid SSEG certificate of compliance and testing purposes.



CUSTOMER NAME

Rev. No. 001

Drawing Number X

File name DASSIS SSEG TEMPLATE V11.DWG

+27 21 XXX XXX  
email@address.co.za  
Your address



Sheet Number  
1