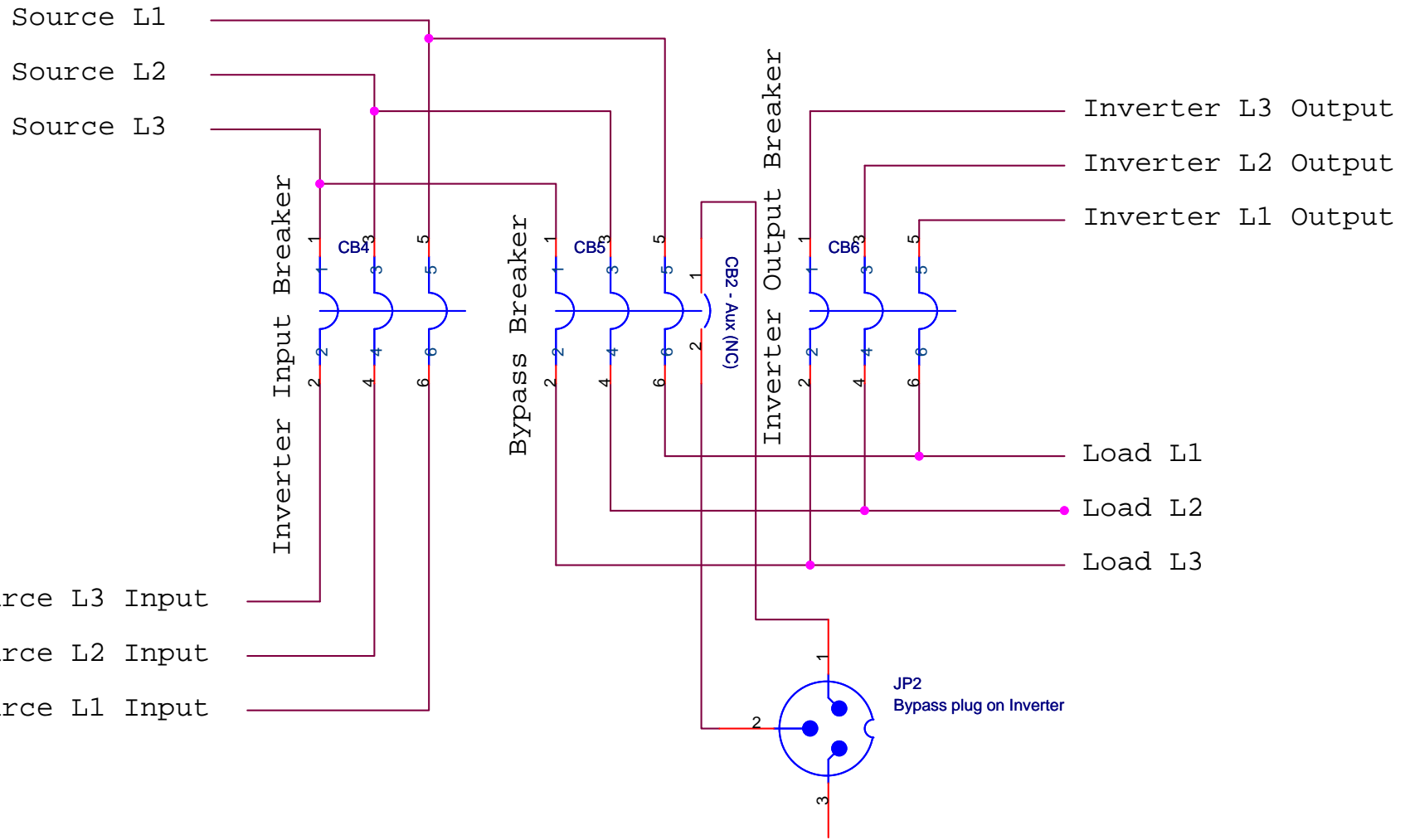


Source, Load and
Inverter Earths to be
connected together on
Earth bar

Auxilliary switch on
CB2 Must be (NC)
i.e.- Open when CB2
Closed

Title		
Single Phase Bypass Box		
Size	Document Number	Rev
A	<Doc>	1
Date:	Thursday, November 26, 2009	Sheet 1 of 1



Source, Load and Inverter Neutrals to be connected together on Neutral bar

Source, Load and Inverter Earths to be connected together on Earth bar

Auxilliary switch on CB2 Must be (NC) i.e.- Open when CB2 Closed

Title		
Three Phase Bypass Box		
Size	Document Number	Rev
A	<Doc>	1
Date:	Thursday, November 26, 2009	Sheet 1 of 1